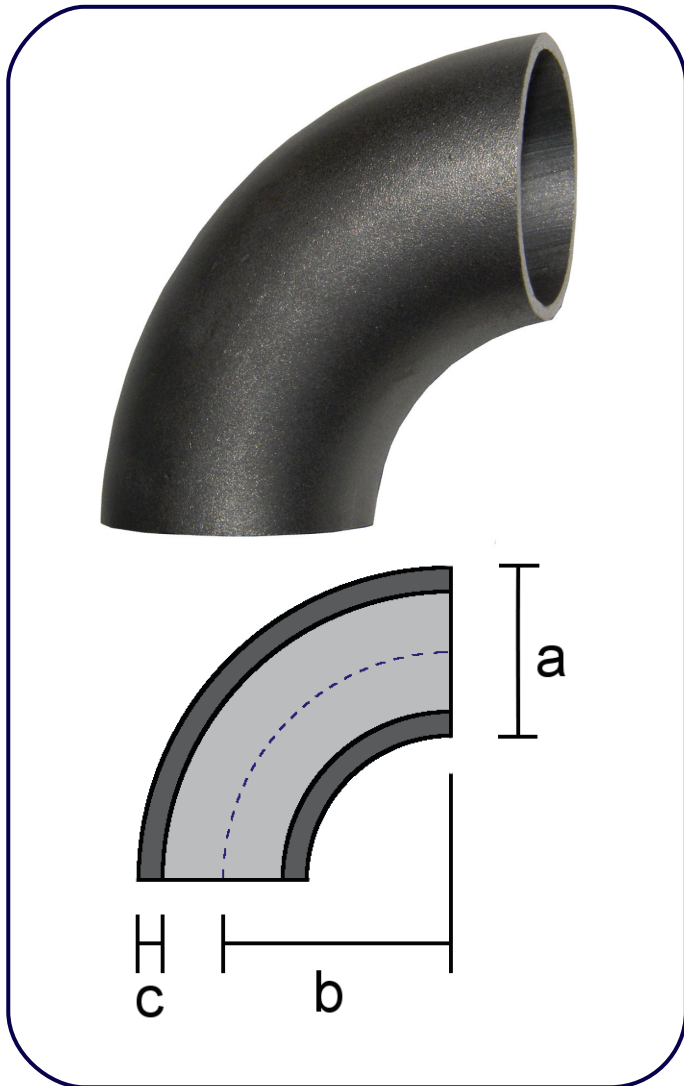


Weldable Elbows



To complement our Interclamp range of handrailing fittings, we now stock a full range of weldable elbows at competitive prices. These are designed to offer aesthetically pleasing, completely flush, high strength 90° joints in a wide variety of tubular structures such as handrails, guardrails, balustrades and many types of street furniture. Unlike bending the tube, they form consistently short radius bends without the risks of tube flattening and the other problems and costs associated with tube bending in the workshop or on site.

The weldable elbows are supplied unmarked and self-coloured for ease of welding. They can then be painted, galvanised or powder coated after fabrication for longevity and to meet the specification requirements of the customer.

As a genuine one-stop-shop for the engineer and fabricator, we can also offer a full range of tube, welding electrodes and wires, welding equipment, hand and power tools, PPE and general engineering supplies from major brands such as Murex, Esab and Makita. Please ask our experienced sales personnel for further details.

Size and Dimensions

Nominal Bore	Outside Diameter (a) mm	Radius (b) mm	Thickness (c) mm
1"	33.7	38	2.6
1¼"	42.4	48	2.6
1½"	48.3	57	2.6
2"	60.3	76	2.9
3"	88.9	114	3.2